

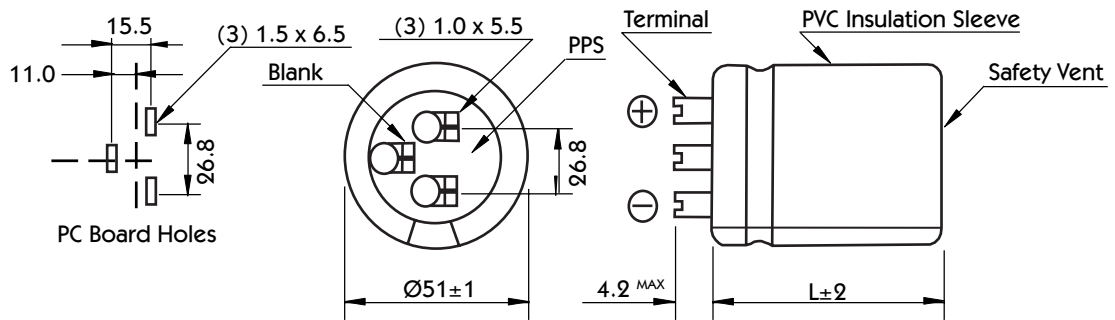
ALUMINUM ELECTROLYTIC CAPACITORS

PS2 Series and US2 Series



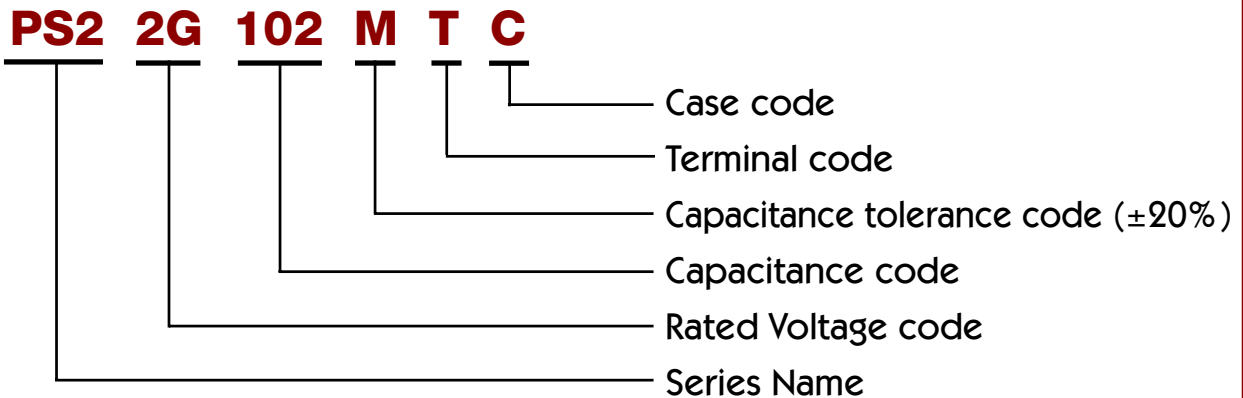
- PS2 Series - Life rating to 2,000 hours at 85°C.
- US2 Series - Life rating to 2,000 hours at 105°C.
- Both product series are designed for filtering applications in inverter and servo amplifiers.
- Ideal for improving cost performance with larger diameter and higher ripple current.
- High ripple current was realized with a new heat radiation structure and low ESR material.
- Maximum ripple current has improved by 27% compared with HP3 and HU3 series.
- This series offers T: T-Terminals, with 3rd blank terminal for increased mounting stability.

BLANK terminals must not be connected to any other circuit.



Product Numbering System for PS2 and US2 Series

Example: PS2 Series, 400V, 1,000µF, ±20%, T terminal, 51 x 51mm



Capacitance Code: To determine Capacitance code use the first 2 digits of the Capacitance followed by the number of zeros. Using the above example of 1,000: 10 + 2 zeros = 102.

ALUMINUM ELECTROLYTIC CAPACITORS

PS2 Series

•Life rating to 2,000 hours at 85°C

•Temperature range -40°C to +85°C

Ripple Current Correction Coefficient

Temperature (°C)	40	60	85
Correction Coefficient	1.89	1.51	1.00

Frequency (Hz)	50/60	120	300	1K	≥10K
Correction Coefficient	0.7	1.0	1.1	1.3	1.4

Rated Voltage (WVDC)	Part Number	Capacitance	Case Size ØD x L (mm)	Maximum Ripple Current (A rms) @85° C, 120Hz	Typical ESR (mΩ) @20° C, 120Hz	Typical ESL (nH)
200 Volts (Code: 2D)	PS22D182MSB	1,800	41 X 45	5.78	63	25
	PS22D222MSB	2,200	41 X 55	6.35	52	25
	PS22D272MSH	2,700	46 X 51	6.58	42	25
	PS22D332MSB	3,300	41 X 64	7.46	34	25
	PS22D332MSH	3,300	46 X 61	7.35	34	25
	PS22D332MTC	3,300	51 X 51	7.07	35	25
	PS22D392MSH	3,900	46 X 70	7.98	29	25
	PS22D392MTC	3,900	51 X 61	7.76	30	25
PS22D472MTC	4,700	51 X 70	8.49	25	25	
250 Volts (Code: 2E)	PS22E122MSB	1,200	41 X 45	4.72	95	25
	PS22E182MSB	1,800	41 X 55	5.75	63	25
	PS22E182MSH	1,800	46 X 51	5.37	63	25
	PS22E222MSB	2,200	41 X 64	6.41	52	25
	PS22E222MSH	2,200	46 X 61	6.00	52	25
	PS22E272MTC	2,700	51 X 51	6.40	43	25
	PS22E332MSH	3,300	46 X 70	7.34	34	25
	PS22E332MTC	3,300	51 X 61	7.14	35	25
PS22E392MTC	3,900	51 X 70	7.73	30	25	
400 Volts (Code: 2G)	PS22G561MSB	560	41 X 45	4.22	101	25
	PS22G681MSB	680	41 X 55	4.62	83	25
	PS22G821MSH	820	46 X 51	5.13	69	25
	PS22G102MSB	1,000	41 X 64	5.66	56	25
	PS22G102MSH	1,000	46 X 61	5.73	56	25
	PS22G102MTC	1,000	51 X 51	5.88	57	25
	PS22G122MSH	1,200	46 X 70	6.26	47	25
	PS22G122MTC	1,200	51 X 61	6.51	47	25
PS22G152MTC	1,500	51 X 70	7.25	38	25	
420 Volts (Code: 420V)	PS2420V471MSB	470	41 X 45	3.71	158	25
	PS2420V681MSB	680	41 X 55	4.44	109	25
	PS2420V681MSH	680	46 X 51	4.48	109	25
	PS2420V821MSB	820	41 X 64	4.92	90	25
	PS2420V821MTC	820	51 X 51	5.11	91	25
	PS2420V102MSH	1,000	46 X 61	5.49	74	25
	PS2420V122MSH	1,200	46 X 70	6.01	62	25
	PS2420V122MTC	1,200	51 X 61	6.25	62	25
PS2420V152MTC	1,500	51 X 70	6.96	50	25	
450 Volts (Code: 2GW)	PS22W391MSB	390	41 X 45	3.38	190	25
	PS22W561MSB	560	41 X 55	4.03	132	25
	PS22W681MSH	680	46 X 51	4.48	109	25
	PS22W821MSB	820	41 X 64	4.92	90	25
	PS22W821MSH	820	46 X 61	4.98	90	25
	PS22W821MTC	820	51 X 51	5.11	91	25
	PS22W102MSH	1,000	46 X 70	5.48	74	25
	PS22W102MTC	1,000	51 X 61	5.70	74	25
	PS22W122MTC	1,200	51 X 70	6.22	62	25

ALUMINUM ELECTROLYTIC CAPACITORS

US2 Series

•Life rating to 2,000 hours at 105°C

•Temperature range -40°C to +105°C

Ripple Current Correction Coefficient

Temperature (°C)	40	60	85	105
Correction Coefficient	2.50	2.00	1.63	1.00

Frequency (Hz)	50/60	120	300	1K	≥10K
Correction Coefficient	0.7	1.0	1.1	1.3	1.4

Rated Voltage (WVDC)	Part Number	Capacitance	Case Size ØD x L (mm)	Maximum Ripple Current (A rms) @105° C, 120Hz	Typical ESR (mΩ) @20° C, 120Hz	Typical ESL (nH)
200 Volts (Code: 2D)	US22D152MSB	1,500	41 X 45	3.99	76	25
	US22D222MSB	2,200	41 X 55	4.80	52	25
	US22D222MSH	2,200	46 X 51	4.49	52	25
	US22D272MSB	2,700	41 X 64	5.37	42	25
	US22D272MTC	2,700	51 X 51	4.84	43	25
	US22D332MSH	3,300	46 X 61	5.56	34	25
	US22D392MSH	3,900	46 X 70	6.03	29	25
	US22D392MTC	3,900	51 X 61	5.87	30	25
250 Volts (Code: 2E)	US22D472MTC	4,700	51 X 70	6.42	25	25
	US22E102MSB	1,000	41 X 45	3.26	115	25
	US22E152MSB	1,500	41 X 55	3.96	76	25
	US22E182MSB	1,800	41 X 64	4.38	63	25
	US22E182MSH	1,800	46 X 51	4.06	63	25
	US22E182MTC	1,800	51 X 51	3.95	67	25
	US22E222MSH	2,200	46 X 61	4.54	52	25
	US22E272MSH	2,700	46 X 70	5.02	42	25
400 Volts (Code: 2G)	US22E272MTC	2,700	51 X 61	4.88	45	25
	US22E332MTC	3,300	51 X 70	5.38	38	25
	US22G471MSB	470	41 X 45	2.92	120	25
	US22G681MSB	680	41 X 55	3.50	83	25
	US22G681MSH	680	46 X 51	3.53	83	25
	US22G821MSB	820	41 X 64	3.87	69	25
	US22G821MTC	820	51 X 51	4.03	69	25
	US22G102MSH	1,000	46 X 61	4.33	56	25
	US22G122MSH	1,200	46 X 70	4.73	47	25
420 Volts (Code: 420V)	US22G122MTC	1,200	51 X 61	4.92	47	25
	US22G152MTC	1,500	51 X 70	5.48	38	25
	US2420V391MSB	390	41 X 45	2.56	190	25
	US2420V561MSB	560	41 X 55	3.04	132	25
	US2420V681MSH	680	46 X 51	3.39	109	25
	US2420V821MSB	820	41 X 64	3.72	90	25
	US2420V821MSH	820	46 X 61	3.76	90	25
	US2420V821MTC	820	51 X 51	3.87	91	25
	US2420V102MSH	1,000	46 X 70	4.15	74	25
450 Volts (Code: 2W)	US2420V102MTC	1,000	51 X 61	4.31	74	25
	US2420V122MTC	1,200	51 X 70	4.71	62	25
	US22W331MSB	330	41 X 45	2.35	225	25
	US22W471MSB	470	41 X 55	2.79	158	25
	US22W561MSB	560	41 X 64	3.07	132	25
	US22W561MSH	560	46 X 51	3.07	132	25
	US22W681MSH	680	46 X 61	3.43	109	25
	US22W681MTC	680	51 X 51	3.52	109	25
	US22W821MSH	820	46 X 70	3.75	90	25
US22W821MTC	820	51 X 61	3.90	91	25	
US22W102MTC	1,000	51 X 70	4.30	74	25	